

# EDCON-COMPONENTS



## Technical Discription

Temperature Range: ABS= -40°C ~ +85°C

PC= -40°C ~ +120°C

Protection Degree

IP66-67

Screw Type Enclosure

EDCON Terminal Boxes are some type has knock outs of 21mm on both surfaces and others have holes.

The latter type is ready to use without additional processing.

**This Box has two Knock-outs. Diameter Hole one 21mm  
Hole two 21mm.**

This Box has 6Pos Terminal Block.



**Terminal Box Waterproof  
55x91x43mm**

Part No.: **H19009**

Customer:

DRW:	Jason	CHKD	Wilson	MATL:	Wilson	TOLERANCE	Mason	DATE	12.02.2010
APPD:	Schumi			FINISH	Jamy		Sheet No.	1 from 4	

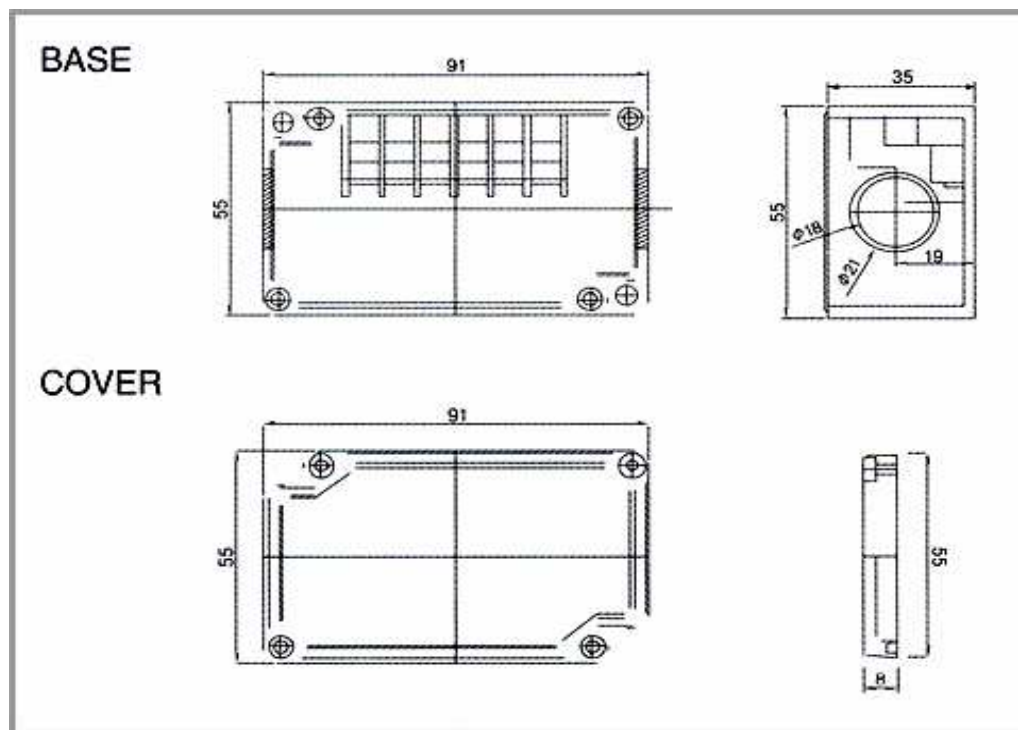
[www.edcon-components.com](http://www.edcon-components.com)

email: [info@edcon-components.com](mailto:info@edcon-components.com)

# EDCON-COMPONENTS



## Technical Drawing



**Terminal Box Waterproof  
55x91x43mm**

Part No.: **H19009**

DRW:	Jason	CHKD	Wilson	MATL:	Wilson	TOLERANCE	Mason	DATE	12.02.2010
APPD:	Schumi			FINISH	Jamy		Sheet No.	2 from 4	

Customer:

[www.edcon-components.com](http://www.edcon-components.com)

email: [info@edcon-components.com](mailto:info@edcon-components.com)

# EDCON-COMPONENTS



## Ordering Informations

Serie	Material Base	ROHS	Packing							
-------	---------------	------	---------	--	--	--	--	--	--	--

<b>H19009</b>	<b>AB</b>	<b>R</b>	<b>S</b>							
---------------	-----------	----------	----------	--	--	--	--	--	--	--

<b>AB=</b> ABS (Blue-Gray)	<b>R=</b> ROHS Conform	<b>S=</b> Standard Packing
<b>AG=</b> ABS (Gray)	<b>N=</b> NON ROHS Conform	<b>I=</b> Individual Packing
<b>PB=</b> PC Beige		

**Terminal Box Waterproof  
55x91x43mm**

Part No.: **H19009**

DRW:	Jason	CHKD	Wilson	MATL:	Wilson	TOLERANCE	Mason	DATE	12.02.2010	Customer:
APPD:	Schumi			FINISH	Jamy		Sheet No.	4 from 4		